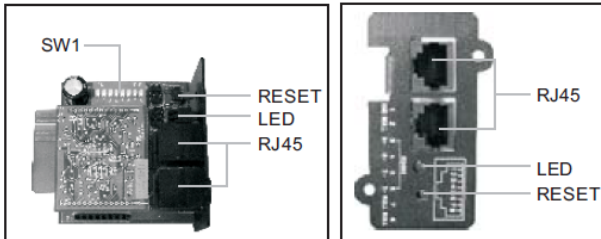


# MINI Modbus Card 3

CMC (Central Monitor Card) is an optional accessory, it gives an easy and simple way to achieve remote monitoring & controlling of all the UPS at the same time.

## APPEARANCE



## FEATURES

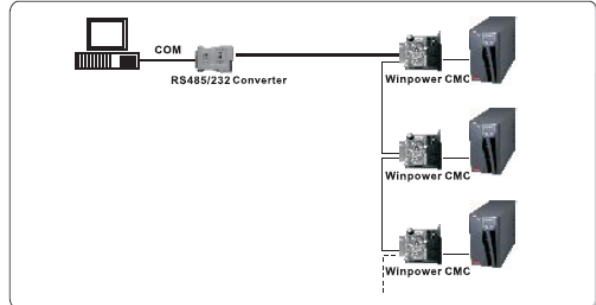
- Converts the UPS RS232 signal into RS485 signal
- Provides a pair of RJ45 interface.

## COMPATIBILITY

Compatible with:  
 XP Series  
 Castle Series  
 MP Series  
 Other UPS with short intelligent slot

1

## TOPOLOGY



## CONFIGURATION

Address Setting (SW1)

Range: 0 ~ 255

Description: As an eight byte binary system, Pin-1 of SW1 is low byte, Pin-8 of SW1 is high byte. DIP switches set to "ON" means "0", and DIP switches set to "OFF" means "1".

Example: If you want to set the CMC number

as 38 (in decimal), its equivalent binary number is 00100110. Please refer to the SW1 setting on the right:



2

Notes: The setting of CMC number can not be duplicated in the same group.

## RJ-45 PIN ASSIGNMENT

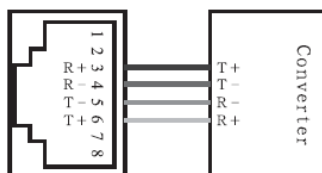
1	2	3	4	5	6	7	8	
Pin	1	2	3	4	5	6	7	8
Define	GND	NULL	R+	R-	T-	T+	NULL	NULL
Signal			RS485					

## COMMUNICATION MODE

RS485 Signal

It is commonly known that most of computers can only receive RS232 signal. Therefore, it is needed to have a RS485 — RS232 CONVERTER to transform RS485 signal into RS232 signal for the computer.

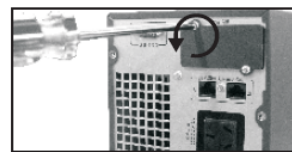
Following diagram shows the wirings between RJ45 port of CMC and the RS485 — RS232 converter.



3

## HARDWARE INSTALLATION

- Open the cover of the Intelligent Slot of the UPS, shown as below:



- Insert the CMC into the Intelligent Slot.



- Lock the screws of the CMC bracket.



- Connect the CMC(s) and the computer according to the "TOPOLOGY" diagram.

## SOFTWARE INSTALLATION

Install the software into the computer system to monitor all the UPS with CMC installed.

Please refer to the installation procedures in the manual.

4